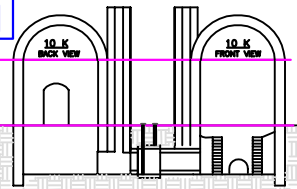


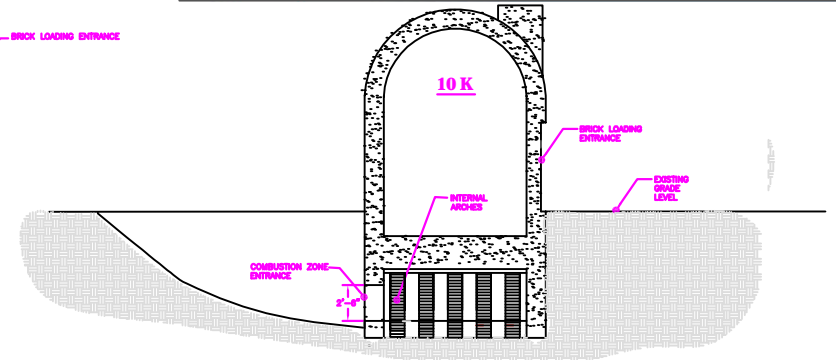
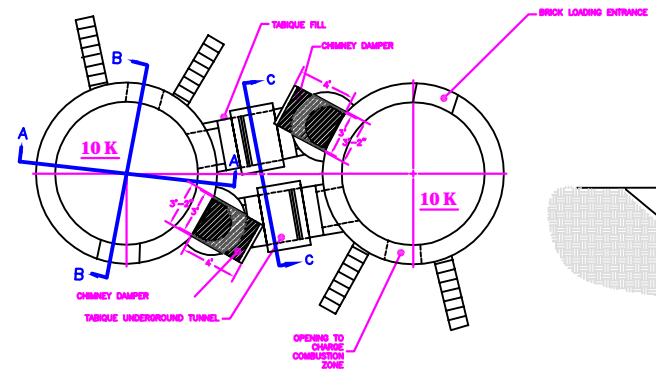
PHASE III

PHASE II

PHASE I

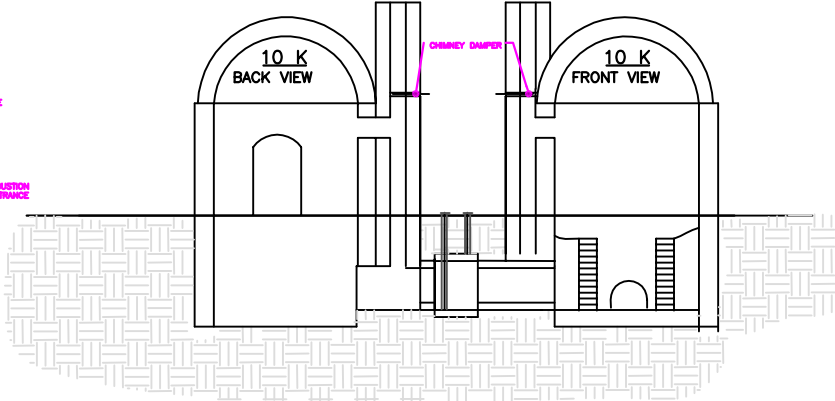


PHASE III

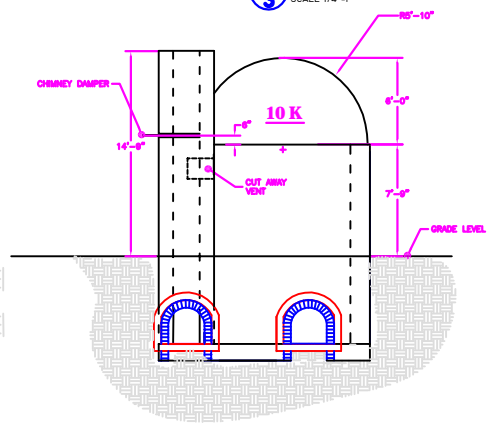


B DETAIL ELEVATION VIEW 10K
SCALE 1/4"=1'

BRICK KILN PLAN VIEW
SCALE 1/4"=1'



BRICK KILN ELEVATION VIEW 10K
SCALE: NTS



C DETAIL ELEVATION VIEW 10K
SCALE 1/4"=1'

A DETAIL ELEVATION VIEW 10K
SCALE: NTS

TABLE I: MATERIAL LIST FOR 10K SYSTEM *

SECTION	QUANTITY	MATERIAL TYPE
WALLS	5,200	ADOBE 16x10x3"
DOMES	1,440	
	TOTAL ADOBES = 6,640	
CHIMNEYS	2,400	TABIQUE 12x6x2-1/2"
ARCHES	1,600	TABIQUE
TUNNELS	500	TABIQUE
COMBUSTION ZONE ENTRANCE	52	TABIQUE
	TOTAL TABIQUES = 4,552	
MEZCLA/PLASTAR	5 M ³	CLAY (BARRO)
MEZCLA/PLASTAR	5 M ³	SAND (ARENA)
MEZCLA/PLASTAR	5 M ³	SILT (ENSOLVE)

*TWO 10K KILNS EQUALS ONE 10K SYSTEM

DESIGNED BY ROBERTO MARQUEZ (NRSU)	DATE 01-2021	EL PASO ELECTRIC CO. EL PASO, TX CHUPA HUMO KILN PHASE 3
DRAWN BY WINDO GALINAS	DATE 01-2021	
CHECKED BY JOSEPH HENDONZA, ERNESTO OCHOA	DATE 01-2021	DWG. No. 3
APPROVED BY US H. ITO, MARK RODRIGUEZ, RUSSELL CORVELLO	DATE 01-2021	